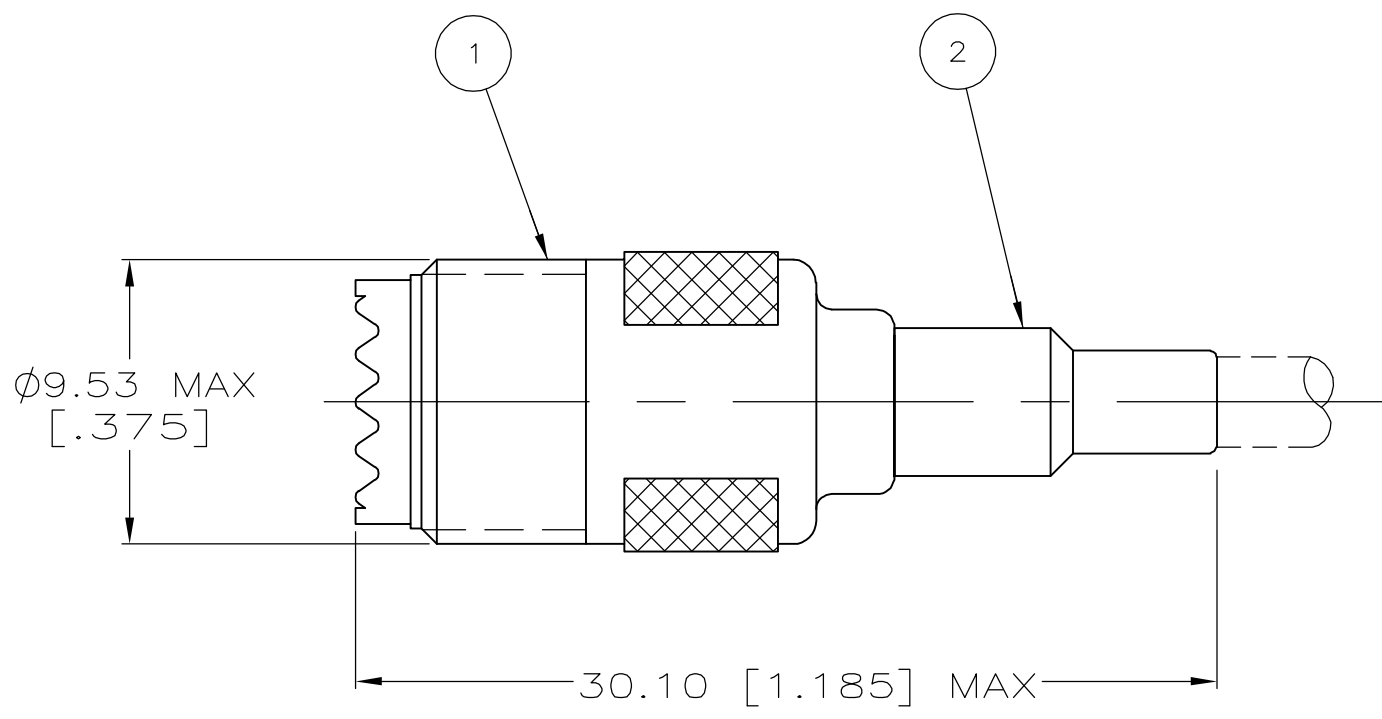
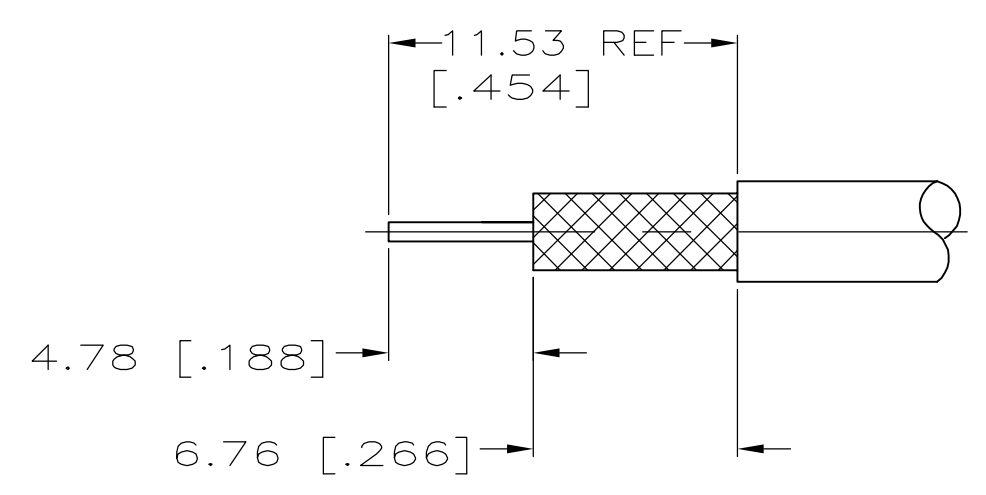


THIS DRAWING IS UNPUBLISHED. RELEASED FOR PUBLICATION
 © COPYRIGHT BY TYCO ELECTRONICS CORPORATION. ALL RIGHTS RESERVED.

LOC	DIST	REVISIONS					
AJ	16	P	LTR	DESCRIPTION	DATE	DWN	APVD
		D1		REVISED PER ECO-06-018709	18SEP2006	MC	JH



- △1 FOR USE WITH: RG-316/U CABLE
- △2 USE CRIMPING TOOL: PNEUMATIC TOOL 69365-3 WITH DIE SET 58159-1



RECOMMENDED STRIP LENGTH

	9-328666-0	414479-1	9-414477-0
OBSOLETE	9-328666-0	414479-1	414477-1
	② FERRULE	① JACK ASSY QTY=1	PART NO

THIS DRAWING IS A CONTROLLED DOCUMENT.		DWN M. SNEED 6-3-92	Tyco Electronics Corporation Harrisburg, PA 17105-3608	
DIMENSIONS: INCHES		CHK J. DUNBAR 6-3-92		
TOLERANCES UNLESS OTHERWISE SPECIFIED:		APVD M. SNEED 06-03-92	NAME JACK, MINIATURE UHF	
0 PLC ± -		PRODUCT SPEC	-	
1 PLC ± -		APPLICATION SPEC	-	
2 PLC ± 0.38 [.015]		WEIGHT	-	
3 PLC ± -		CUSTOMER DRAWING	SIZE A3	CAGE CODE 00779
4 PLC ± -		FINISH	DRAWING NO C-414477	RESTRICTED TO -
ANGLES ± -			SCALE 4:1	SHEET 1 OF 1
MATERIAL -			REV D1	